

**PROCESSOR**  
252 SHEET 4  
**DSP AUDIO**

**RECEIVER**  
246 GND RX-ANT SHEET 3

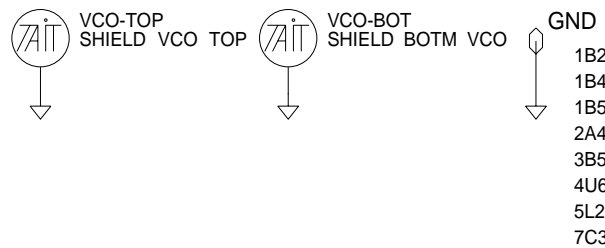
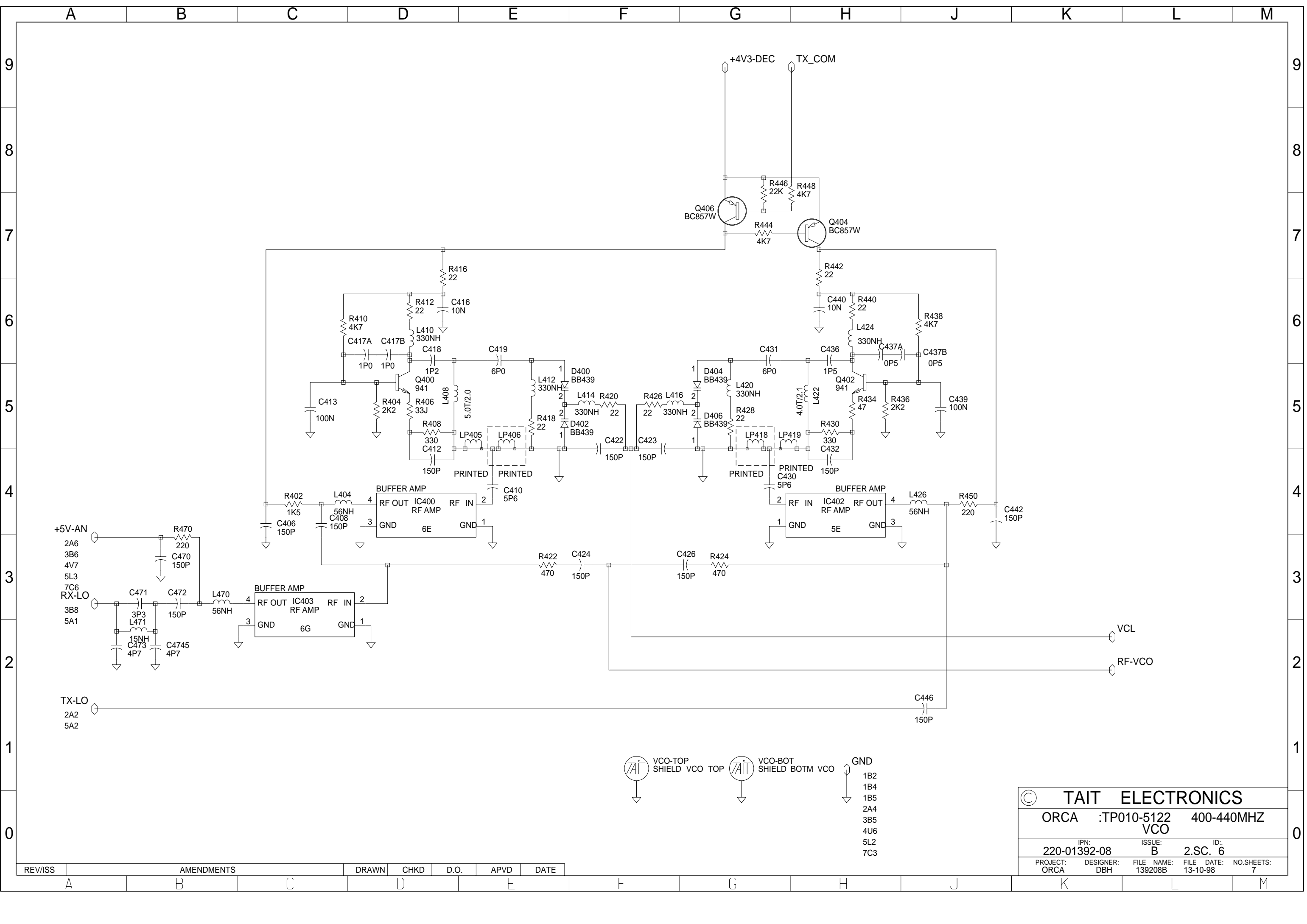
**SYNTH-VCO**  
2922 GND  
VCO sheet 6

**POWER-AMP**  
93 GND RX-ANT SHEET 2

© TAIT ELECTRONICS	
ORCA	:TP010-5122 400-440MHZ SYSTEM DIAGRAM
IPN: 220-01392-08	ISSUE: B 2.S.C. 1
PROJECT: ORCA	DESIGNER: DBH
FILE NAME: 139208B	FILE DATE: 13-10-98
NO. SHEETS: 7	

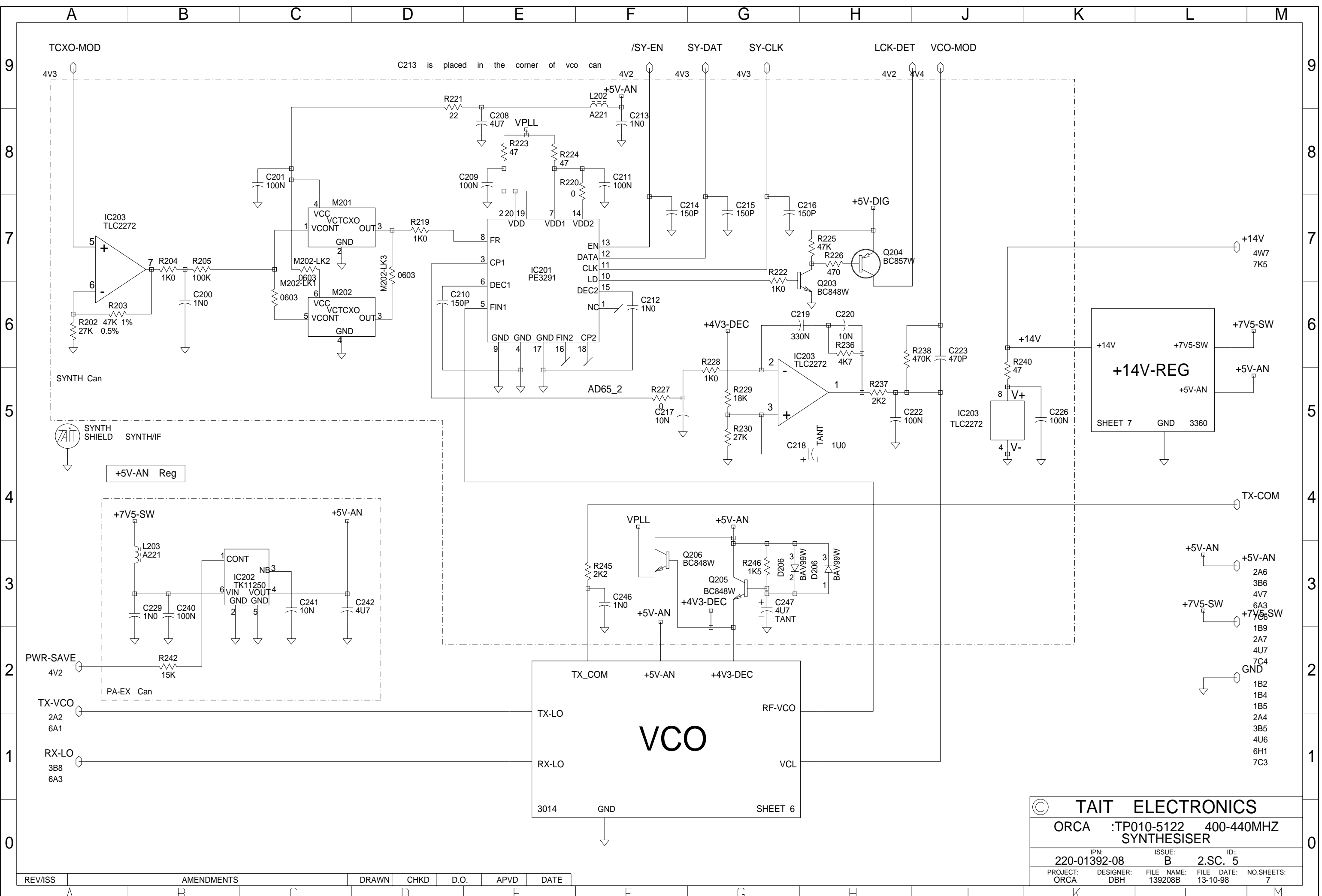
08	UPDATED MUTE CIRCUITRY	DBH				
REV/ISS	AMENDMENTS	DRAWN	CHKD	D.O.	APVD	DATE





© TAIT ELECTRONICS				
ORCA	:TP010-5122	400-440MHZ	VCO	
IPN:	ISSUE:	ID:		
220-01392-08	B	2.SC. 6		
PROJECT:	DESIGNER:	FILE NAME:	FILE DATE:	NO.SHEETS:
ORCA	DBH	139208B	13-10-98	7

REV/ISS	AMENDMENTS	DRAWN	CHKD	D.O.	APVD	DATE



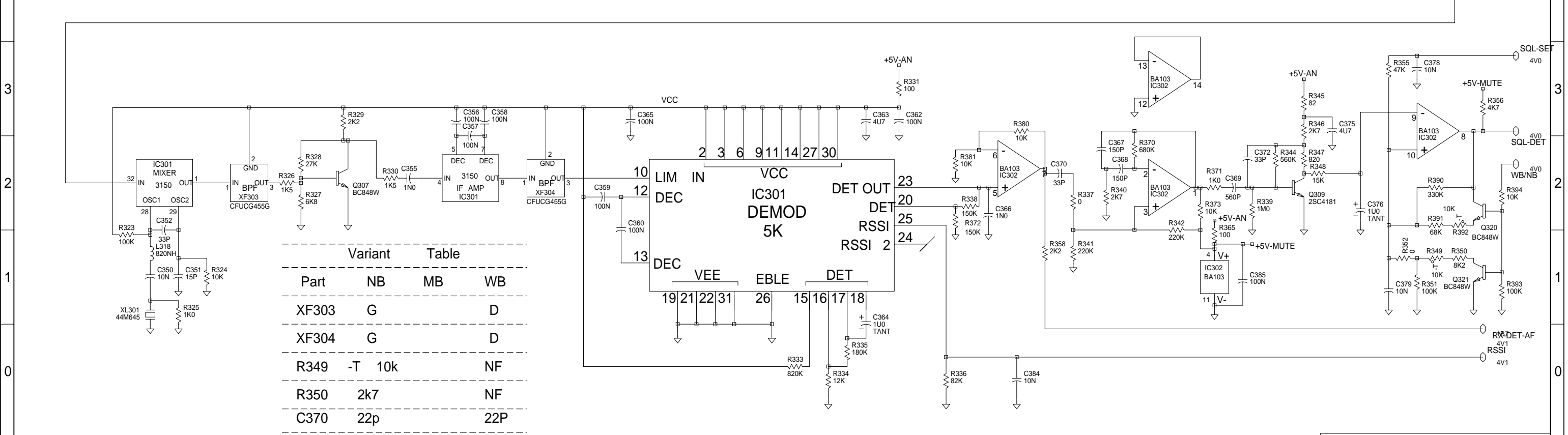
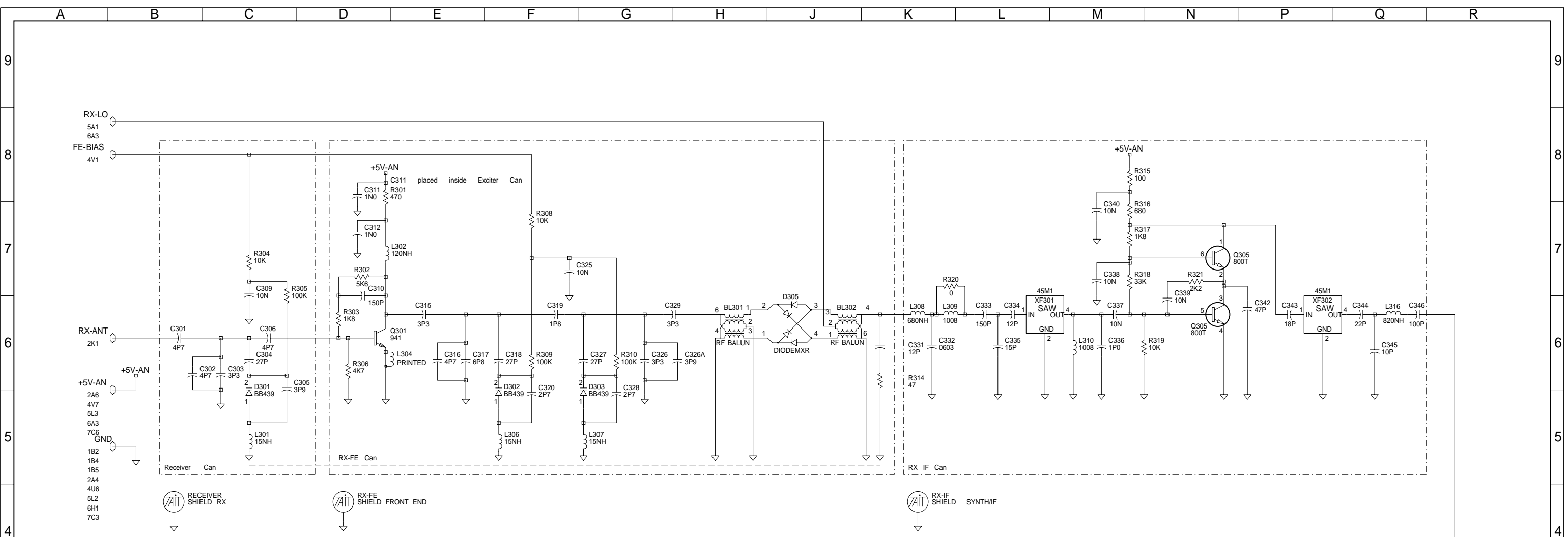
© TAIT ELECTRONICS  
 ORCA :TP010-5122 400-440MHZ SYNTHESISER  
 IPN: 220-01392-08 ISSUE: B ID: 2.SC. 5  
 PROJECT: ORCA DESIGNER: DBH FILE NAME: 139208B FILE DATE: 13-10-98 NO.SHEETS: 7

REV/ISS	AMENDMENTS	DRAWN	CHKD	D.O.	APVD	DATE

- +5V-AN 2A6
- +5V-AN 3B6
- 4V7 4V7
- +7V5-SW 6A3
- +7V5-SW 6A3
- 1B9 1B9
- 2A7 2A7
- 4U7 4U7
- 7C4 7C4
- GND GND
- 1B2 1B2
- 1B4 1B4
- 1B5 1B5
- 2A4 2A4
- 3B5 3B5
- 4U6 4U6
- 6H1 6H1
- 7C3 7C3







Variant Table

Part	NB	MB	WB
XF303	G		D
XF304	G		D
R349	-T	10k	NF
R350	2k7		NF
C370	22p		22P
C369	330P		330P

© TAIT ELECTRONICS  
 ORCA :TP010-5122 400-440MHZ RECEIVER  
 IPN: 220-01392-08 ISSUE: B 2.S.C. 3 ID:  
 PROJECT: ORCA DESIGNER: DBH FILE NAME: 139208B FILE DATE: 13-10-98 NO.SHEETS: 7

REV/ISS	AMENDMENTS	DRAWN	CHKD	D.O.	APVD	DATE